

# Telescopic Bollards



## RT 114/670 HD

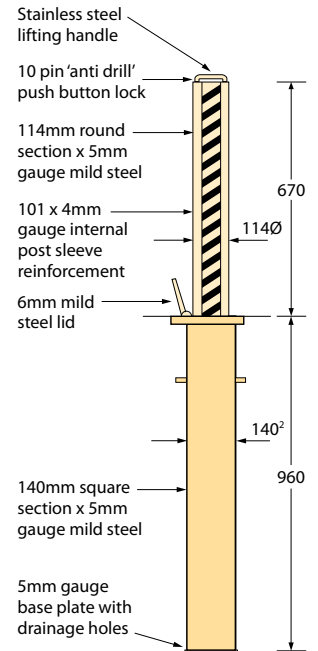
- A round telescopic bollard manufactured from high strength mild steel to BS 1440 and galvanised to BS EN ISO 1461 (1999).
- The bollard locks into place 670mm above ground and features a larger 114mm diameter.
- Features a 10 pin 'anti drill' push button lock.
- The **RT 114/670 HD** is reinforced with a 101mm x 4mm steel inner post sleeve for enhanced performance on impact, making the bollard ideal for high risk anti ram applications.
- Supplied galvanised as standard, the **RT 114/670 HD** can be polyester powder coated to a RAL colour of your choice.

## RT 114/670 HD Lift Assist

- The **RT 114/670 HD** is available with an internal lift assist mechanism to substantially reduce the operating weight and aid manual handling.
- This stainless steel gas spring reduces the lifting weight by approximately 70%, from 22.5kg to around 6-7kg.



RT 114 / 670 HD



## RT R14 HD

- A round telescopic bollard manufactured from high strength mild steel to BS 1440 and galvanised to BS EN ISO 1461 (1999).
- The **RT R14 HD** has a height above ground of 850mm and diameter of 114mm.
- Features a 10 pin 'anti drill' push button lock.
- The bollard is reinforced as standard with a 101 x 4mm internal post sleeve for added strength and security, making it the ideal choice for anti ram applications.
- A non reinforced option is also available for applications of lower risk (**Ref: RT R14**). A coordinating static post (**Ref: RB 114**) is available on request.

## RT R14 HD Lift Assist

- The **RT R14 HD** is now available with a lift assist mechanism. This enables the specification of a telescopic bollard of significant size and operating weight, whilst reducing the lifting weight by approximately 70%, enabling effortless functionality.
- The internal gas spring reduces the operating weight from 26.5kg to around 7kg.



RT R14 HD

